

# EVANS MODEL 5010

## LAMINATE SLITTER



# Operations Manual

April 2008



**EVANS MACHINERY, INC.**

5530 N. 51ST AVENUE, GLENDALE, ARIZONA

[www.evansmachineryinc.com](http://www.evansmachineryinc.com)

PHONE 623-934-7294 FAX 623-934-7384

## 1. **SET UP**

Place the machine on a sturdy bench or pedestal.

Bolting the machine through all four mounting holes onto the bench or pedestal is recommended.

Plug the electrical cord into a 110 Vac, 60 Hz outlet.  
(Optional: 220 Vac, 1 Ph., 50 Hz)

## 2. **OPERATION**

**Caution:** NEVER OPERATE THE MACHINE WITHOUT ALL GUARDS IN PLACE AND PROPERLY ADJUSTED.

WEAR EYE PROTECTOR (GOGGLES) WHEN OPERATING THE MACHINE.

### **Setting the fence:**

- a) Loosen adjustment handle and wing nut.
- b) Position the fence until indicator is at desired cutting width (see Fig. 2)
- c) Tighten adjustment handle and wing nut.

### **Adjusting the roller:**

- a) Loosen the thumb screw.
- b) Slide the roller shaft until roller is approximately half way between cutting blades and fence (see Fig. 3)
- c) Place the laminate under the roller (see Fig. 4)
- d) Rotate roller shaft until roller presses the laminate onto the table and laminate is still being able to slide.
- e) Tighten the thumb screw.

### **Cutting the laminate:**

- a) Turn the machine on.
- b) Place front edge of laminate on the machine table, with finished side up.
- c) Push laminate against the fence groove (see Fig. 5)
- d) Feed the laminate under the roller to the slitter blades. (to have a straight cut the laminate's edge which is pushed against the fence should be straight)
- e) As the blades cut the laminate, the rotation of the blades will pull the laminate in (self feeding).

3. **Maintenance**

Grease all spindle bearings and lubricate the chain periodically.

Check and adjust the tension of the chain when necessary.

**Sharpening the blades**

Spacer disc (washer between the bottom blades) should be:

.002" to .004" [.050 mm. to .100 mm.]  
thinner than the top blade.

Blade should be:

Flat within .001" [.025 mm.] and TIR .001 [.025 mm.]

**Service limit**

Top blade - dia. : 5.750" (new) - 5.700"  
[146.05 mm. - 144.78 mm.]

Thickness : .080" (new) - .065"  
[2.03 mm. - 1.65 mm.]

Bottom blade - dia. : 5.750" (new) - 5.700"  
[146.05 mm. - 144.78 mm.]

Thickness : .125" (new) - .100"  
[3.18 mm. - 2.54 mm.]

Bottom spindle should be realigned when bottom blades are ground, to a thinner size.

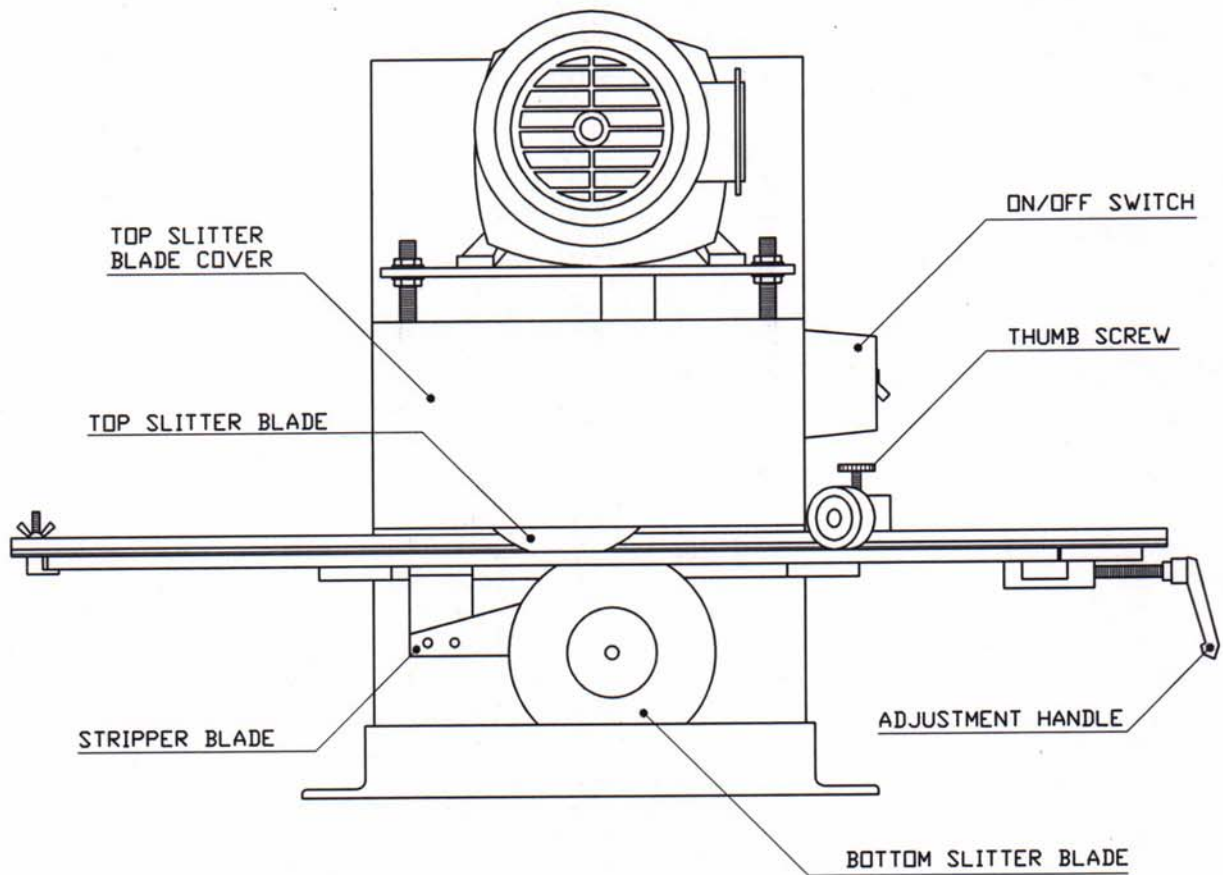
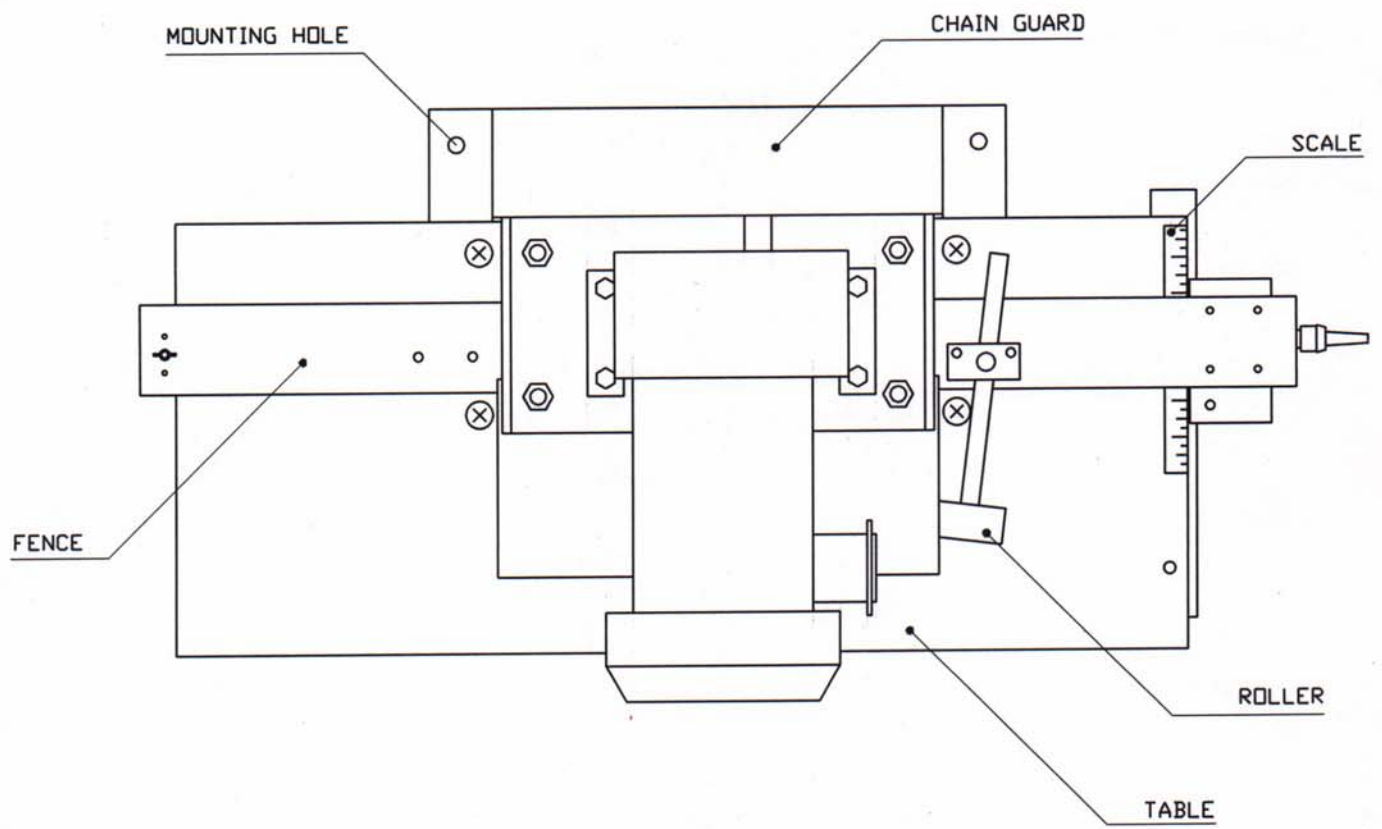


FIG. 1

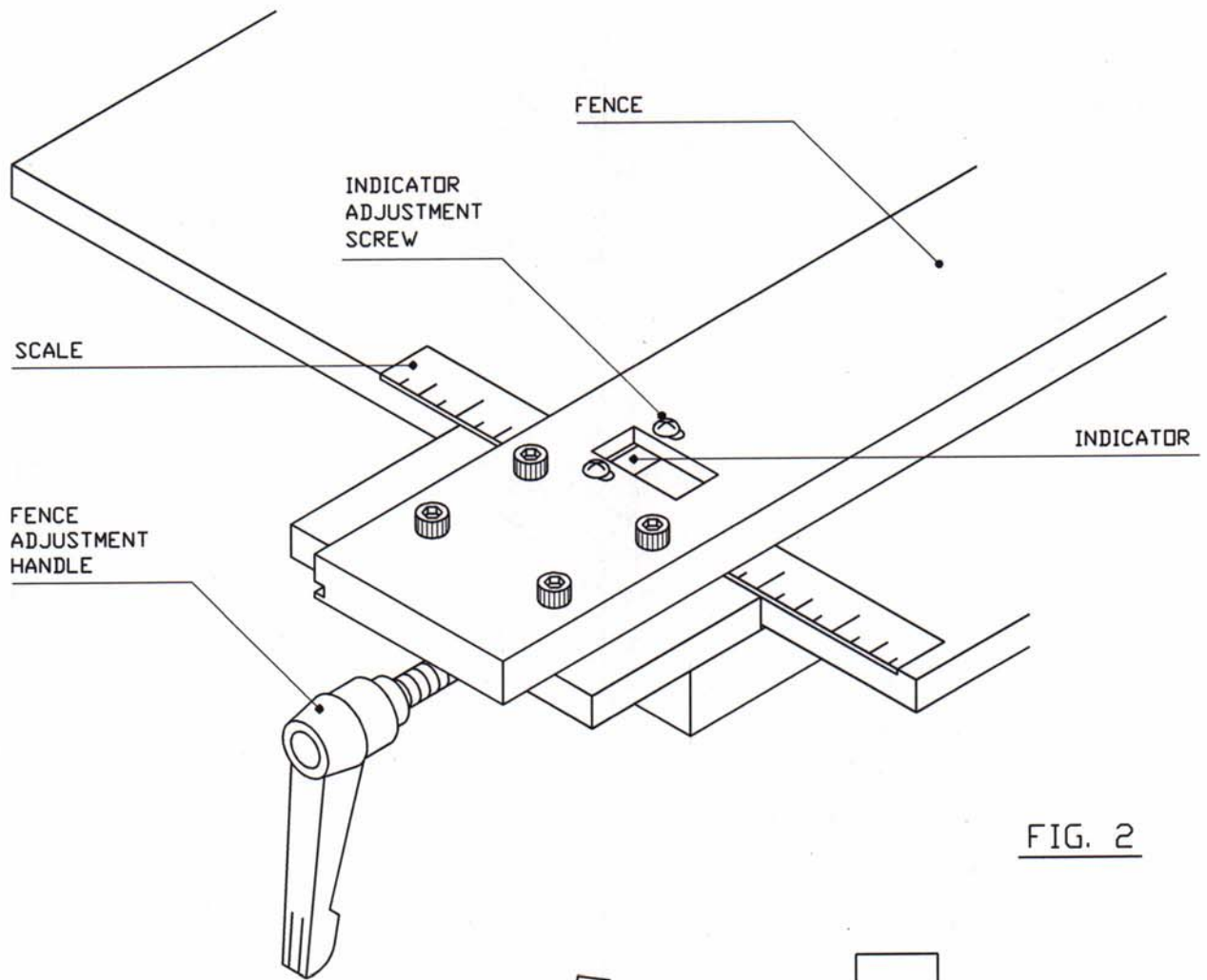


FIG. 2

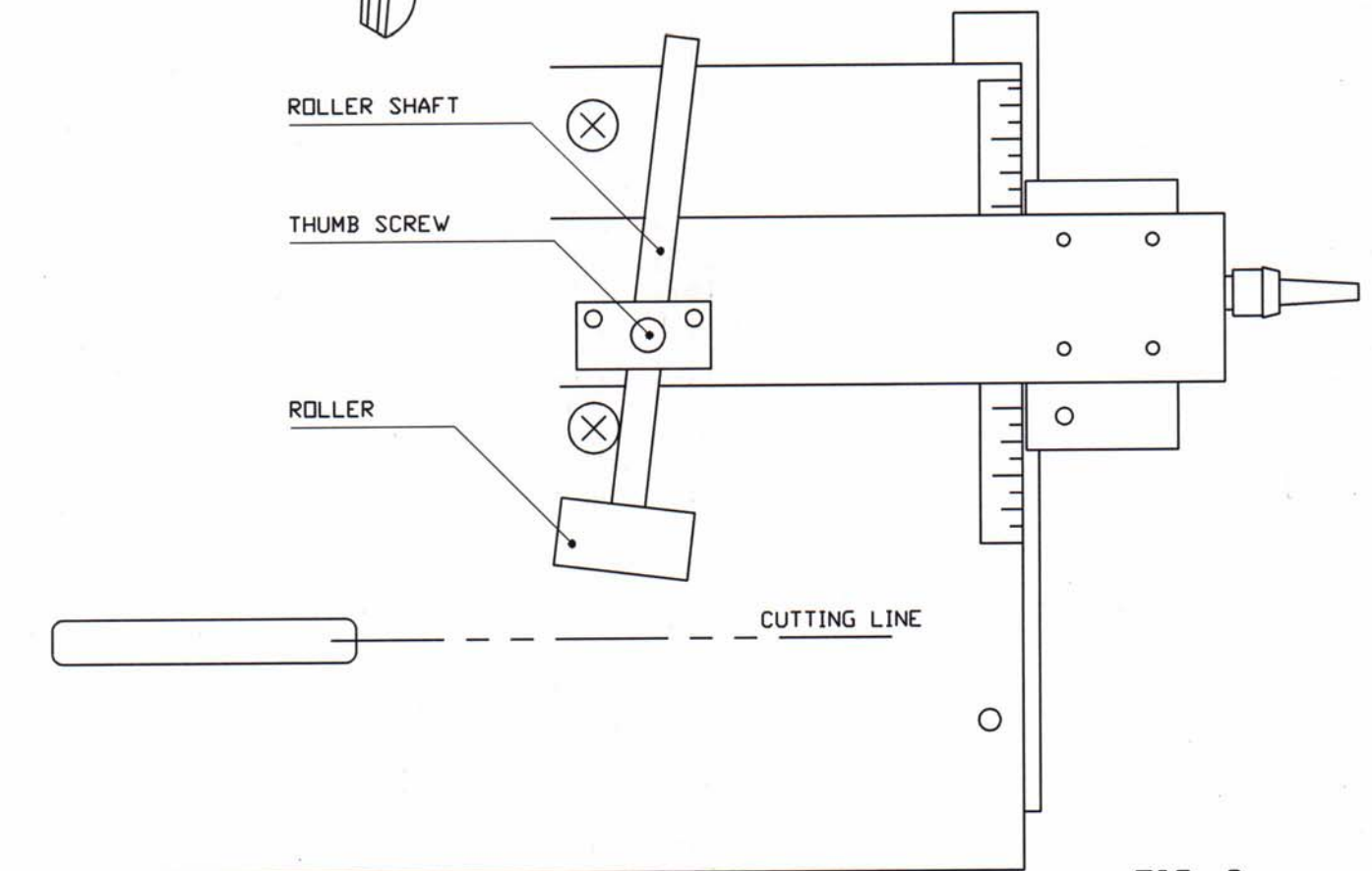


FIG. 3

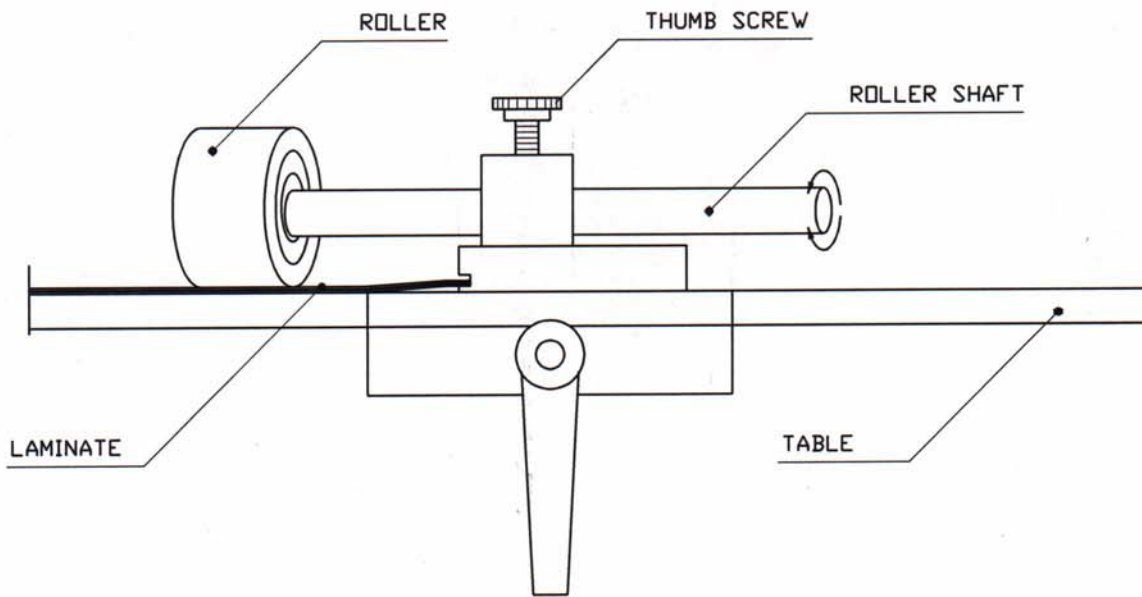


FIG. 4

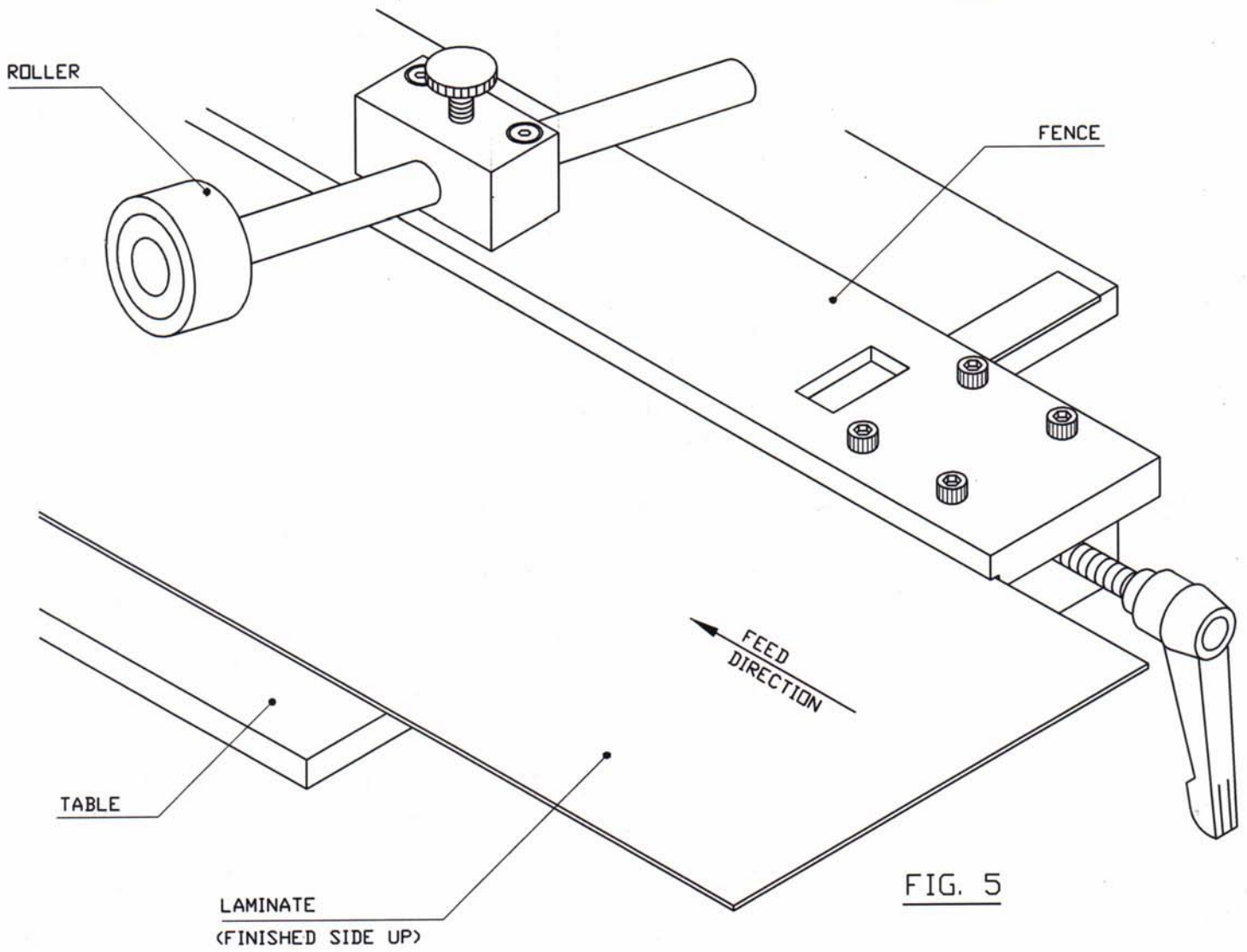


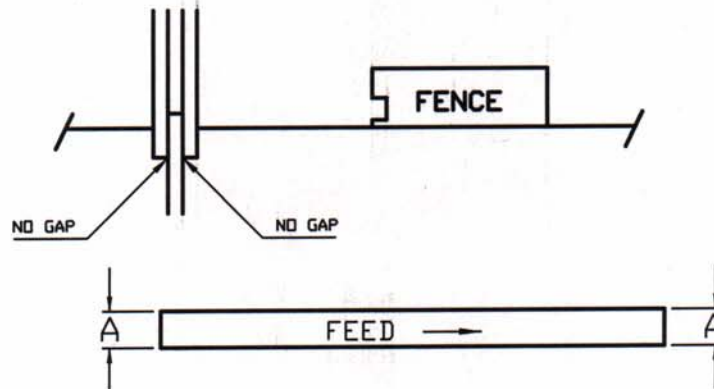
FIG. 5

#### 4. TECHNICAL SPECIFICATIONS

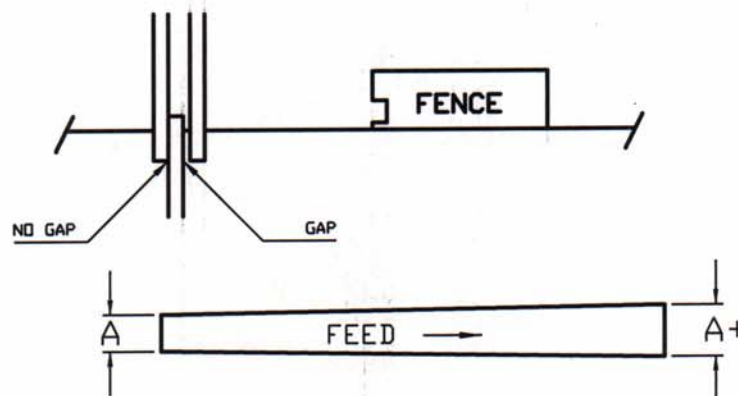
Machine Model No.	:	5010
Maximum cutting width	:	6" [178 mm.]
Maximum cutting thickness	:	.050" [1.25 mm.] GP laminates
Blades diameter (top and bottom)	:	5.750" [146 mm.]
Arbor diameter	:	.875" [22.225 mm.]
Feed speed	:	70 ft/min. [21 m/min.]
Electrical motor	:	1/3 HP, 110 V, 1 PH., 60 HZ (optional: 220 V, 1 PH., 50 HZ)
Dimensions	:	15 1/2" x 23" x 22" [40 cm. x 58 cm. x 56 cm.]
Shipping weight	:	210 lbs [92 kgs.]

# 5010/5031 LAMINATE SLITTER SLITTER SPACING FOR UNEVEN CUTTING

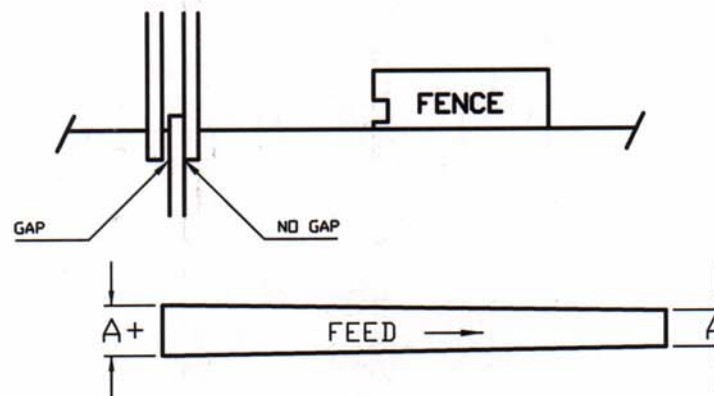
1.

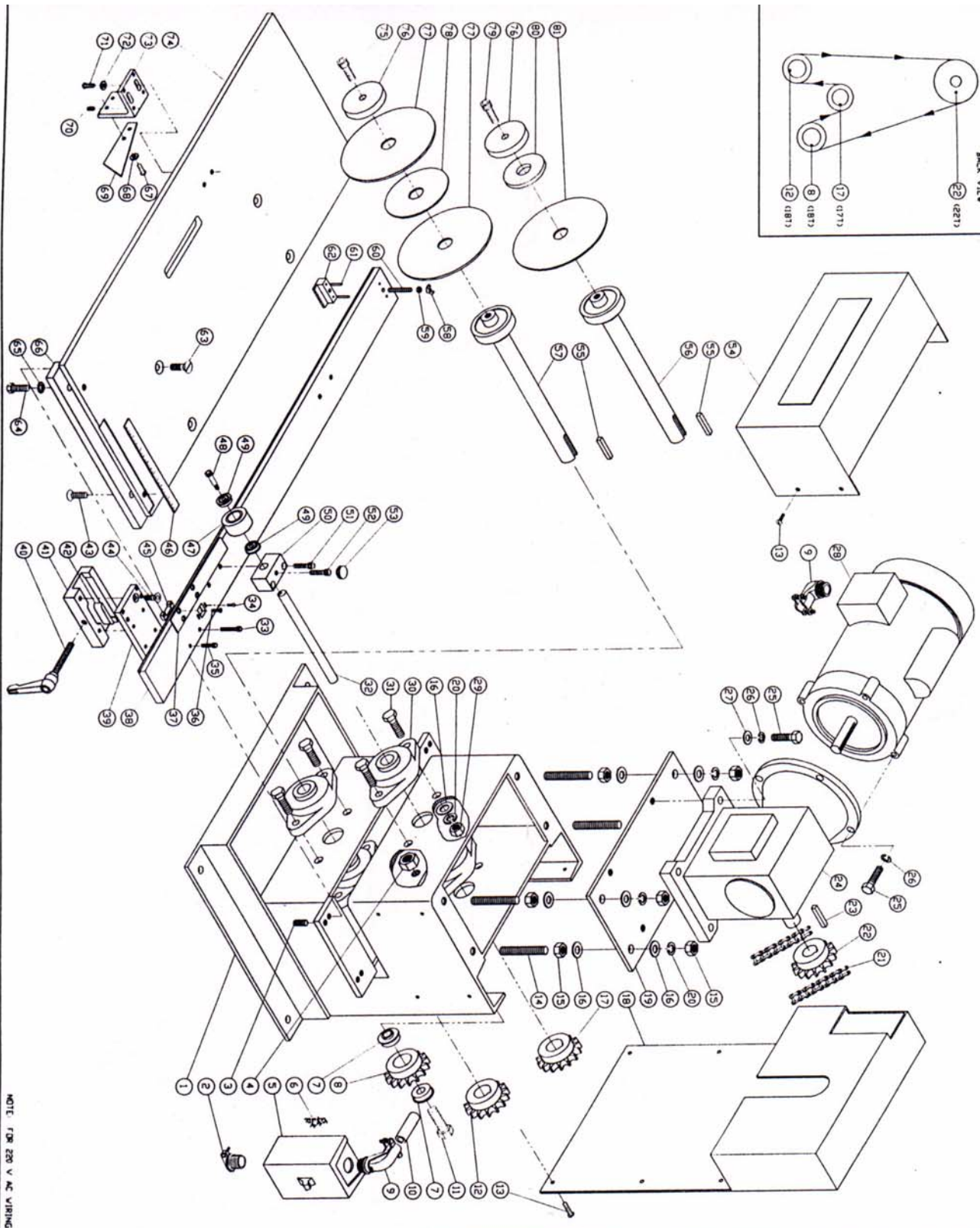
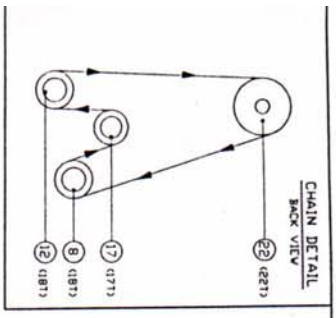


2.



3.





NOTE: FOR 230 V AC WIRING

NO.	QTY	DESCRIPTION
81	1	5010-004 1/2" SLITTER BLADE
80	1	5010-006 1/2" CENTER WASHER
79	1	5010-002 3/4" x 1/4" SLEETS GUANO
78	1	5010-003 1/2" x 1/4" SLEETS GUANO
77	2	5010-005 1/2" x 1/4" SLEETS GUANO
76	2	5010-004 3/4" x 1/4" SLEETS GUANO
75	1	5010-007 1/2" x 1/4" SLEETS GUANO
74	1	5010-008 1/2" x 1/4" SLEETS GUANO
73	1	5010-009 1/2" x 1/4" SLEETS GUANO
72	2	5010-010 1/2" x 1/4" SLEETS GUANO
71	2	5010-011 1/2" x 1/4" SLEETS GUANO
70	1	5010-012 1/2" x 1/4" SLEETS GUANO
69	1	5010-013 1/2" x 1/4" SLEETS GUANO
68	1	5010-014 1/2" x 1/4" SLEETS GUANO
67	1	5010-015 1/2" x 1/4" SLEETS GUANO
66	1	5010-016 1/2" x 1/4" SLEETS GUANO
65	1	5010-017 1/2" x 1/4" SLEETS GUANO
64	1	5010-018 1/2" x 1/4" SLEETS GUANO
63	1	5010-019 1/2" x 1/4" SLEETS GUANO
62	1	5010-020 1/2" x 1/4" SLEETS GUANO
61	2	5010-021 1/2" x 1/4" SLEETS GUANO
60	1	5010-022 1/2" x 1/4" SLEETS GUANO
59	1	5010-023 1/2" x 1/4" SLEETS GUANO
58	1	5010-024 1/2" x 1/4" SLEETS GUANO
57	1	5010-025 1/2" x 1/4" SLEETS GUANO
56	1	5010-026 1/2" x 1/4" SLEETS GUANO
55	2	5010-027 1/2" x 1/4" SLEETS GUANO
54	1	5010-028 1/2" x 1/4" SLEETS GUANO
53	1	5010-029 1/2" x 1/4" SLEETS GUANO
52	1	5010-030 1/2" x 1/4" SLEETS GUANO
51	1	5010-031 1/2" x 1/4" SLEETS GUANO
50	1	5010-032 1/2" x 1/4" SLEETS GUANO
49	1	5010-033 1/2" x 1/4" SLEETS GUANO
48	1	5010-034 1/2" x 1/4" SLEETS GUANO
47	1	5010-035 1/2" x 1/4" SLEETS GUANO
46	1	5010-036 1/2" x 1/4" SLEETS GUANO
45	1	5010-037 1/2" x 1/4" SLEETS GUANO
44	1	5010-038 1/2" x 1/4" SLEETS GUANO
43	1	5010-039 1/2" x 1/4" SLEETS GUANO
42	1	5010-040 1/2" x 1/4" SLEETS GUANO
41	1	5010-041 1/2" x 1/4" SLEETS GUANO
40	1	5010-042 1/2" x 1/4" SLEETS GUANO
39	1	5010-043 1/2" x 1/4" SLEETS GUANO
38	1	5010-044 1/2" x 1/4" SLEETS GUANO
37	1	5010-045 1/2" x 1/4" SLEETS GUANO
36	1	5010-046 1/2" x 1/4" SLEETS GUANO
35	1	5010-047 1/2" x 1/4" SLEETS GUANO
34	1	5010-048 1/2" x 1/4" SLEETS GUANO
33	1	5010-049 1/2" x 1/4" SLEETS GUANO
32	1	5010-050 1/2" x 1/4" SLEETS GUANO
31	1	5010-051 1/2" x 1/4" SLEETS GUANO
30	1	5010-052 1/2" x 1/4" SLEETS GUANO
29	1	5010-053 1/2" x 1/4" SLEETS GUANO
28	1	5010-054 1/2" x 1/4" SLEETS GUANO
27	1	5010-055 1/2" x 1/4" SLEETS GUANO
26	1	5010-056 1/2" x 1/4" SLEETS GUANO
25	1	5010-057 1/2" x 1/4" SLEETS GUANO
24	1	5010-058 1/2" x 1/4" SLEETS GUANO
23	1	5010-059 1/2" x 1/4" SLEETS GUANO
22	1	5010-060 1/2" x 1/4" SLEETS GUANO
21	1	5010-061 1/2" x 1/4" SLEETS GUANO
20	1	5010-062 1/2" x 1/4" SLEETS GUANO
19	1	5010-063 1/2" x 1/4" SLEETS GUANO
18	1	5010-064 1/2" x 1/4" SLEETS GUANO
17	1	5010-065 1/2" x 1/4" SLEETS GUANO
16	1	5010-066 1/2" x 1/4" SLEETS GUANO
15	1	5010-067 1/2" x 1/4" SLEETS GUANO
14	1	5010-068 1/2" x 1/4" SLEETS GUANO
13	1	5010-069 1/2" x 1/4" SLEETS GUANO
12	1	5010-070 1/2" x 1/4" SLEETS GUANO
11	1	5010-071 1/2" x 1/4" SLEETS GUANO
10	1	5010-072 1/2" x 1/4" SLEETS GUANO
9	1	5010-073 1/2" x 1/4" SLEETS GUANO
8	1	5010-074 1/2" x 1/4" SLEETS GUANO
7	1	5010-075 1/2" x 1/4" SLEETS GUANO
6	1	5010-076 1/2" x 1/4" SLEETS GUANO
5	1	5010-077 1/2" x 1/4" SLEETS GUANO
4	1	5010-078 1/2" x 1/4" SLEETS GUANO
3	1	5010-079 1/2" x 1/4" SLEETS GUANO
2	1	5010-080 1/2" x 1/4" SLEETS GUANO
1	1	5010-081 1/2" x 1/4" SLEETS GUANO

EVANS MACHINERY, INC.  
 5010 LAMINATE SHEAR  
 EXPLODED VIEW