


51	1	6600-08-00-00	NEARSIDE POST ASSEMBLY
50	2	40019	3/8-16 x 1-1/4 H.H.C.S.
49	1	6600-13-00-00	NEARSIDE INFEED BRACE
48	2	40024	3/8-16 x 2-1/2 H.H.C.S.
47	1	6600-14-00-00	NEARSIDE INFEED ROLLER ASSY
46	8	57010	3/8-16 HEX NUT
45	2	44011	1/4-20 x 1/2 P.H.M.S.
44	1	6600-138	NEARSIDE FRONT SUPPORT ANGLE
43	1	6600-139	NEARSIDE REAR SUPPORT ANGLE
42	2	6600-143	CENTER PLATE
41	8	40051	1/2-13 x 2-1/2 H.H.C.S.
40	8	6600-165	POLYURETHANE ROLLER
39	16	03013	5/8" FLANGE BEARING
38	8	56003	1/2-13 HEX JAM NUT
NO.	QTY.	PART NO.	DESCRIPTION

37	8	6600-023	SPACER
36	2	6600-021	L/H MOUNT PLATE
35	2	6600-022	R/H MOUNT PLATE
34	1	6600-09-00-00	FARSIDE POST ASSEMBLY
33	1	6600-07-00-00	FARSIDE STATION ASSEMBLY
32	1	6600-23-00-00	FARSIDE INFEED ROLLER ASSEMBLY
31	18	40012	5/16-18 x 3/4 H.H.C.S.
30	1	6600-22-00-00	FARSIDE INFEED BRACE
29	1	6600-025	FENCE
28	10	52005	3/8 FLAT WASHER
27	18	48007	3/8 LOCKWASHER
26	14	40017	3/8-16 x 3/4 H.H.C.S.
NO.	QTY.	PART NO.	DESCRIPTION

25	2	6600-146	LARGE BOX COVER
24	4	44013	1/4-20 x 3/4 P.H.M.S.
23	6	48005	1/4 LOCKWASHER
22	6	52003	1/4 FLAT WASHER
21	1	6600-026	FARSIDE FRONT SUPPORT ANGLE
20	2	6600-140	BOARD SUPPORT
19	1	6600-027	FARSIDE REAR SUPPORT ANGLE
18	8	35027	5/16-18 x 3/4 S.H.C.S.
17	8	10762	2" SKATE WHEEL
16	10	56001	1/4-20 HEX JAM NUT
15	8	40003	1/4-20 x 1-1/4 H.H.C.S.
14	2	6600-20-00-00	L/H ROLLER POST
NO.	QTY.	PART NO.	DESCRIPTION

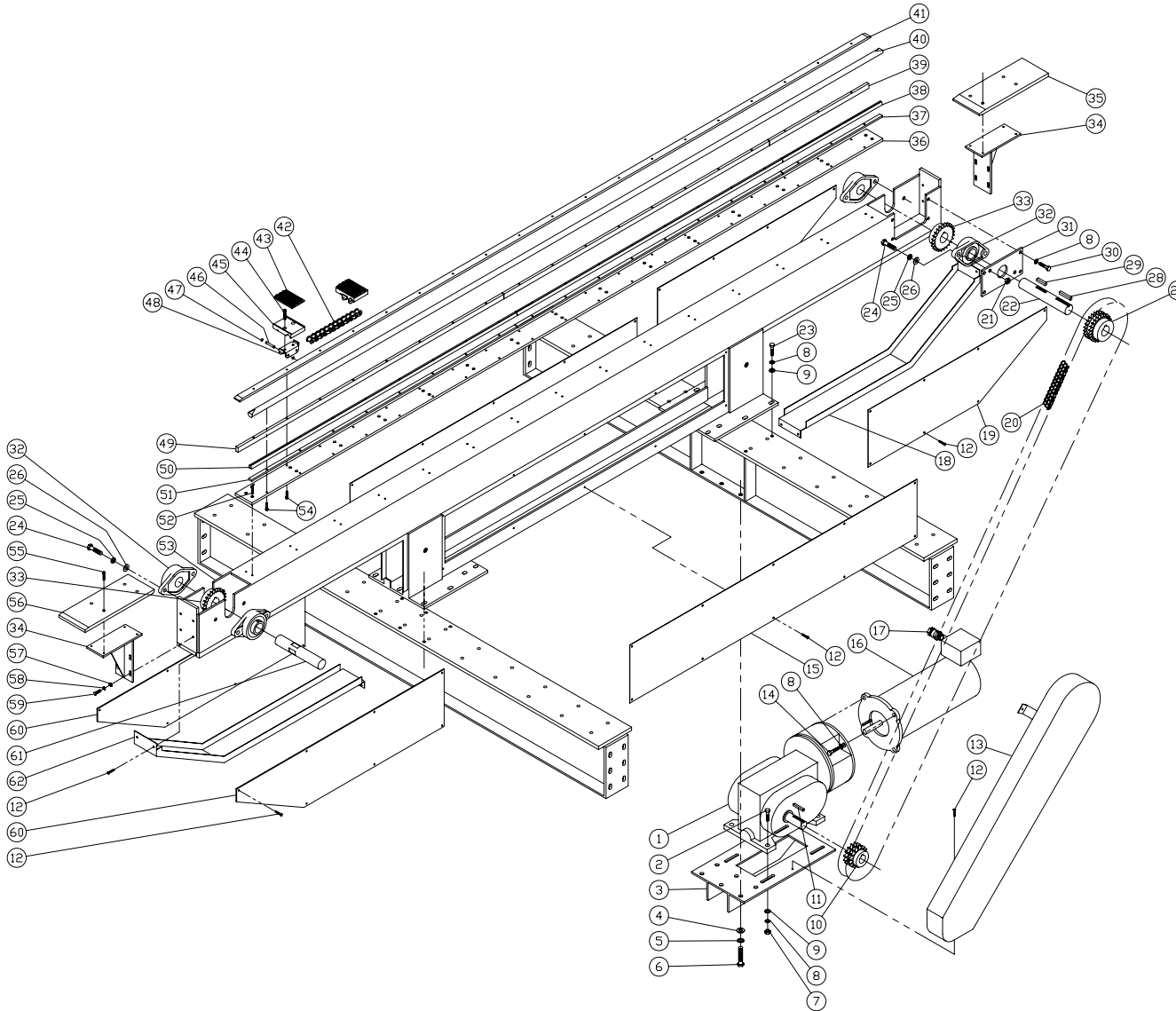
13	2	6600-16-00-00	L/H ROD ASSEMBLY
12	4	10270	ADJUSTMENT HANDLE
11	1	6600-25-00-00	FARSIDE ROLL MOUNT
10	1	6600-18-00-00	NEARSIDE ROLL MOUNT
9	2	6600-17-00-00	R/H ROD ASSEMBLY
8	2	6600-21-00-00	R/H ROLLER POST
7	26	52004	5/16 FLAT WASHER
6	26	48006	5/16 LOCKWASHER
5	8	40013	5/16-18 x 1" H.H.C.S.
4	2	6600-19-00-00	OUTFEED ROLL BRACKET
3	20	44002	#10-32 x 3/8 P.H.M.S.
2	2	6600-147	SMALL BOX COVER
1	1	6600-06-00-00	NEARSIDE STATION ASSEMBLY
NO.	QTY.	PART NO.	DESCRIPTION

EVANS  MACHINERY, INC.

SCALE: 1:10 APPROVED BY: _____ DRAWN BY: G.M.C.
 DATE: JULY 26, 01 REVISED: JUNE 27, 02

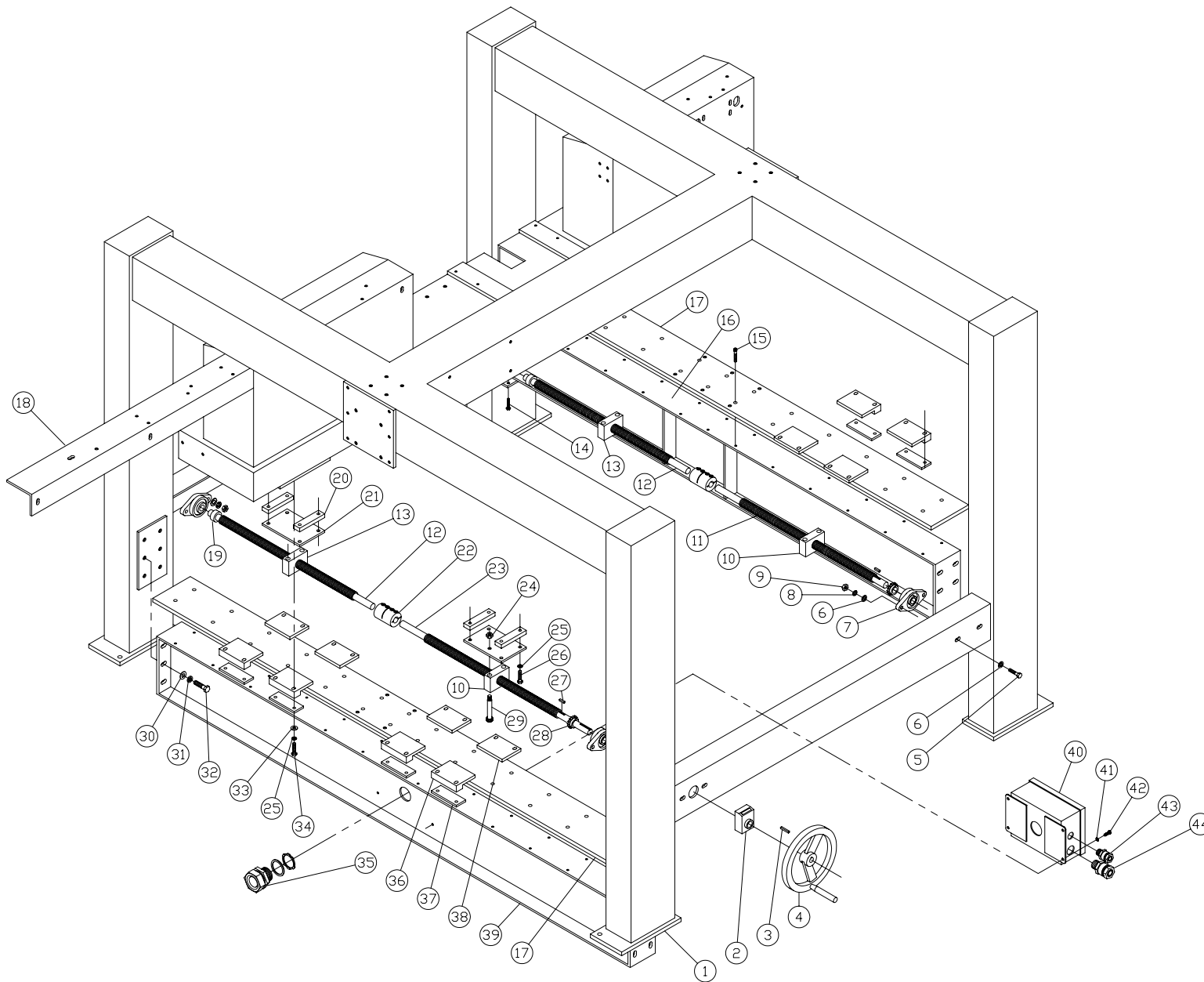
DOUBLE END CORE SHAPER

EXPLODED VIEW DRAWING NUMBER
 6600-EXP 2



62	1	6600-025	INFEED CHAIN GUARD
61	1	6600-033	IDLER SHAFT
60	2	6600-046	INFEED COVER PANEL
59	8	40001	1/4-20 x 3/4 HH.C.S.
58	8	48005	1/4 LOCKWASHER
57	8	52003	1/4 FLAT WASHER
56	1	6600-043	INFEED END SUPPORT
55	8	36019	#10-24 x 1/2 S.H.C.S.
54	38	36031	#10-32 x 1.00 S.H.C.S.
53	1	6600-29-00-00	CONVEYOR ASSEMBLY
52	30	36028	#10-32 x 1/2 S.H.C.S.
51	2	6600-038	48" RAIL SPACER
50	2	6600-042	48" MODIFIED RAIL
49	2	6600-040	48" RAIL
48	88	10900	CHAIN ATTACHMENT
47	352	03293	RETAINING RING
46	176	10901	ATTACHMENT PIN
45	88	6600-050	SUB-PAD
44	176	36034	1/4-20 x 3/8 S.H.C.S.
43	88	6600-161	PAD
42	A/R	03392	#60 CHAIN
41	1	6600-031	GUIDE
40	1	6600-034	MODIFIED SHAFT
39	1	6600-041	18" RAIL
38	1	6600-036	17" MODIFIED RAIL
37	1	6600-039	18" RAIL SPACER
36	1	6600-029	GUIDE BASE
35	1	6600-044	OUTFEED END SUPPORT
34	2	6600-30-00-00	SUPPORT BRACKET
33	2	6600-122	DRIVE SPROCKET
32	4	03504	BEARING, 2-HOLE FLANGE, 1-3/8 DIA
31	1	6600-045	BEARING PLATE
30	4	41026	3/8-24 NF x 5/8 HH.C.S.
29	1	167-74	5/16 x 1-1/2 KEY
28	1	167-40	5/16 x 2.00 KEY
27	1	6600-119	DRIVE SPROCKET
26	8	52006	7/16 FLAT WASHER
25	8	48008	7/16 LOCKWASHER
24	8	41019	7/16-20 x 1-1/4 HH.C.S.
23	4	40018	3/8-16 x 1.00 HH.C.S.
22	1	6600-032	DRIVE SHAFT
21	2	56013	7/16-20 HEX JAM NUT
20	A/R	03393	#50 CHAIN, DOUBLE WIDE
19	2	6600-047	OUTFEED COVER PANEL
18	1	6600-037	OUTFEED CHAIN GUARD
17	1	02130	LT CONNECTOR, 1/2", 90°
16	1	05138	MOTOR, 1 HP, 1750 RPM
15	2	6600-117	CENTER COVER PANEL
14	4	40017	3/8-16 x 3/4 HH.C.S.
13	1	6600-28-00-00	CHAIN GUARD
12	59	44002	#10-32 x 3/8 P.H.M.S.
11	1	167-34	1/4 x 1-1/2 KEY
10	1	6600-118	SPROCKET, #50-12T, DOUBLE WIDE
9	20	52005	3/8 FLAT WASHER
8	20	48007	3/8 LOCKWASHER
7	4	57010	3/8-16 HEX NUT
6	6	40036	1/2-13 x 2-1/4 HH.C.S.
5	6	48009	1/2 LOCKWASHER
4	6	52007	1/2 FLAT WASHER
3	1	6600-27-00-00	MOTOR MOUNT
2	4	40020	3/8-16 x 1-1/2 HH.C.S.
1	1	03184	GEAR BOX
NO.	QTY.	PART NO.	DESCRIPTION

EVANS & MACHINERY, INC.
 SCALE: 1 : 8 APPROVED BY: _____ DRAWN BY: G.M.C.
 DATE: MAY 22, 2000 REVISED: JUNE 26, 02
DOUBLE END CORE SHAPER
 EXPLODED VIEW DRAWING NUMBER: 6600-EXP 3

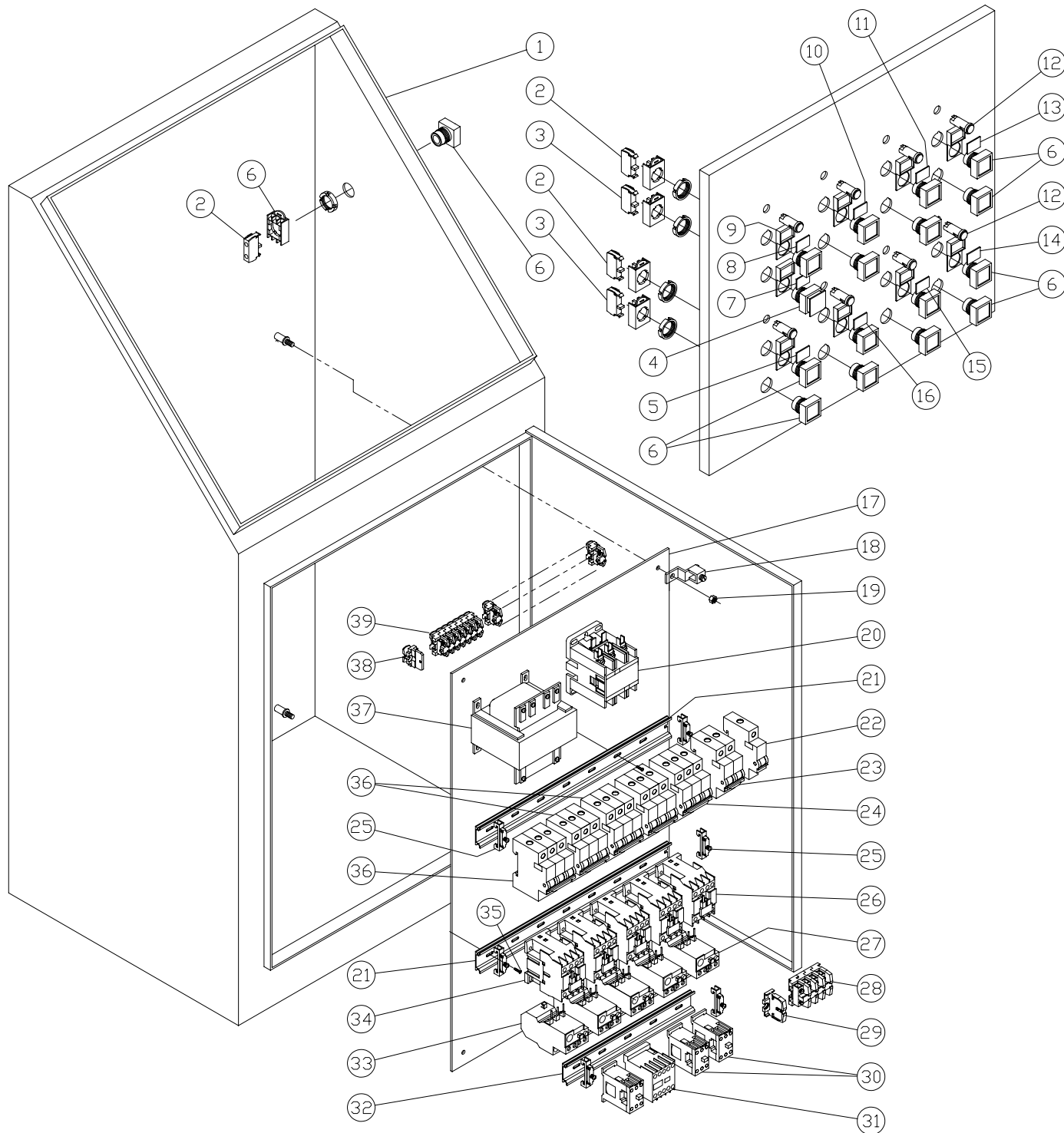


44	1	02128	LT CONNECTOR, 3/4" STR
43	1	02126	LT CONNECTOR, 3/8" STR
42	4	40071	1/4-20 x 1/2 HHCS.
41	4	48008	1/4 LOCKWASHER
40	1	6600-133	JUNCTION BOX
39	1	6600-02-00-00	INFEEED BEAM
38	8	6600-166	SLIDE PLATE
37	16	6600-137	SLIDE CLIP
36	8	6600-136	SLIDE PLATE
35	1	02175	LT CONNECTOR, 1-1/4" STR
34	32	40071	5/16-18 x 2-1/2 HHCS.
33	32	52004	5/16 FLAT WASHER
32	24	40070	7/16-14 x 1-1/4 HHCS.
31	24	48008	7/16 LOCKWASHER
30	24	52006	7/16 FLAT WASHER
29	8	42034	1/2 x 2-1/2" SHOULDER BOLT
28	2	03400	SPROCKET, #35 CHAIN, 18 TOOTH
27	4	167-21	3/16 x 3/4 KEY
26	16	40016	5/16-18 x 1-1/4 HHCS.
25	52	48006	5/16 LOCKWASHER
24	8	34010	3/8-16 ESNA LOCKNUT
23	1	6600-089	R/H LEAD ACME SCREW
22	2	03182	SHAFT COUPLER, 3/4" DIA
21	4	6600-087	NUT BRACKET
20	8	6600-088	SPACER BLOCK
19	2	03154	SHAFT COLLAR, 3/4 DIA
18	1	6600-07-00-00	SEE 6600-EXP 2
17	2	6600-002	TRACK PLATE
16	1	6600-03-00-00	OUTFEED BEAM
15	52	36035	1/4-20 x 1/2 S.H.C.S.
14	4	41025	5/16-24 x 100 HHCS.
13	2	6600-086	L/H NUT BLCK
12	2	6600-091	L/H ACME LEAD SCREW
11	1	6600-090	R/H ACME LEAD SCREW
10	2	6600-085	R/H NUT BLCK
9	8	57010	3/8-16 HEX NUT
8	8	48007	3/8 LOCKWASHER
7	4	03508	BEARING, FLANGE, 3/4" DIA
6	16	52005	3/8 FLAT WASHER
5	8	40020	3/8-16 x 1-1/2 HHCS.
4	1	0161-047	HAND WHEEL
3	1	167-24	3/16 x 1-1/2 KEY
2	1	10892	DIGITAL POSITION INDICATOR
1	1	6600-01-00-00	MAIN FRAME ASSEMBLY
NO.	QTY.	PART NO.	DESCRIPTION


EVANS & MACHINERY, INC.

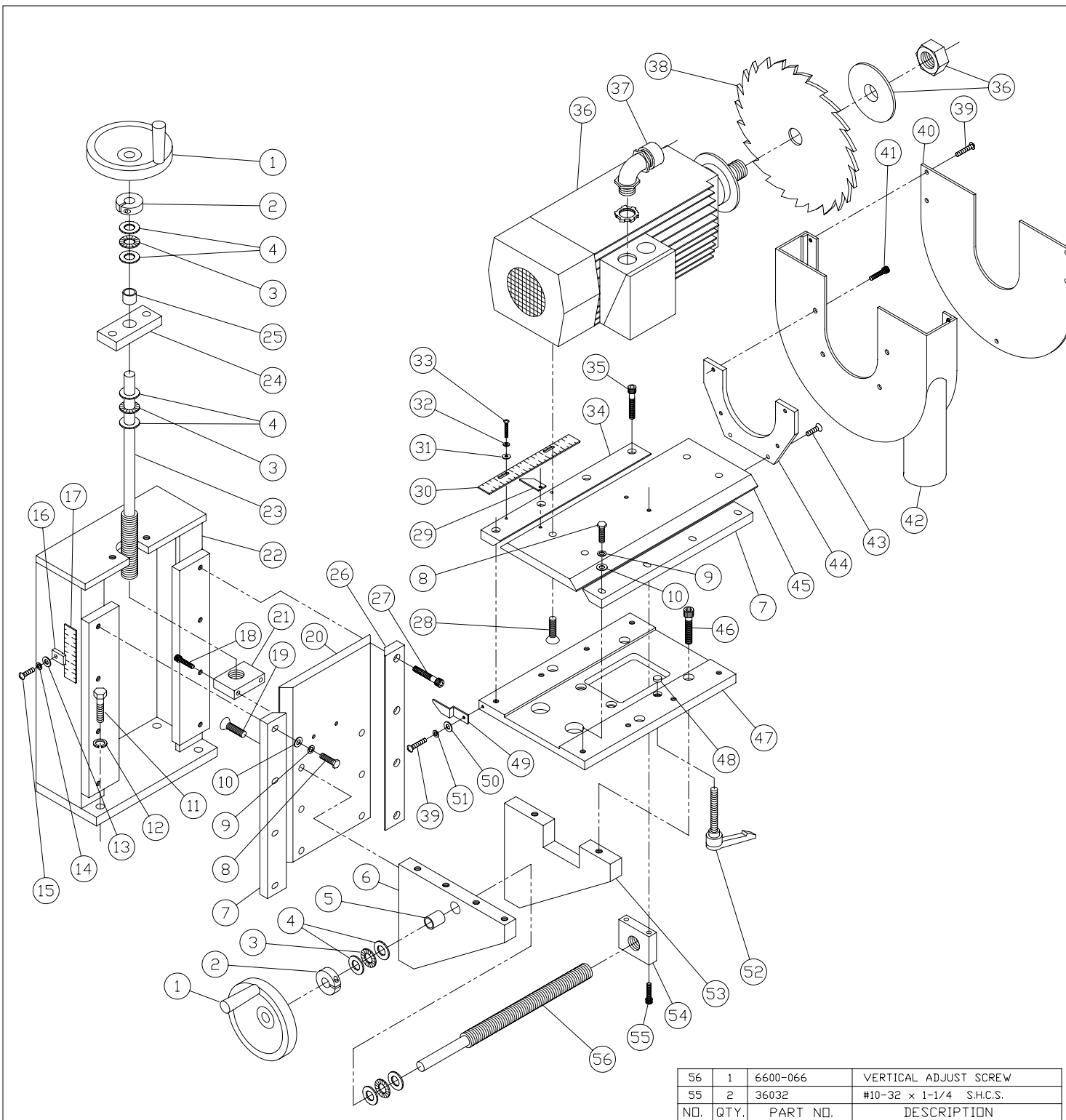
SCALE: 1 : 6.25 APPROVED BY: DRAWN BY: G.M.C.
 DATE: MAY 15, 2000 REVISED JUNE 04, 02

DOUBLE END CORE SHAPER
 EXPLODED VIEW DRAWING NUMBER
 6600-EXP 1




39	50	02303	TERMINAL SECTION, BUCHANAN
38	1	02160	TERM. BLOCK END PIECE
37	1	01261	TRANSFORMER
36	2	01032	CIRCUIT BREAKER, 3-POLE, 25 AMP
35	1	44015	#8-32 x 3/8 P.H.M.S.
34	3	01523	CONTACTOR
33	3	01457	OVERLOAD RELAY, 5.5-8 AMP
32	1	02070	DINRAIL, 10'
31	1	01128	RELAY
30	3	01130	RELAY
29	1	02158	TERM. BLOCK END PIECE
28	4	02300	TERMINAL SECTION, BUCHANAN
27	2	01447	OVERLOAD RELAY, 12-18 AMP
26	2	01164	RELAY, MAGNETIC
25	8	02068	END CLAMP
24	3	01037	CIRCUIT BREAKER, 3-POLE, 16 AMP
23	1	01047	CIRCUIT BREAKER, 2-POLE, 32 AMP
22	1	01072	CIRCUIT BREAKER, 1-POLE, 3 AMP
21	2	02070	DINRAIL, 15'
20	1	01133	CONTACTOR
19	4	57008	1/4-20 HEX NUT
18	1	02073	GROUND LUG
17	1	4600-009	ELECTRICAL PANEL
16	1	12373	LABEL, F/S HOT MELT
15	1	12374	LABEL, N/S SAW
14	1	12375	LABEL, F/S SAW
13	1	12371	LABEL, F/S SHAPER
12	8	01111	PILOT LIGHT
11	1	12370	LABEL, N/S SHAPER
10	1	12320	LABEL, CONVEYOR
9	9	12200	BEZEL
8	1	12207	LABEL, CONTROL ON
7	1	12203	LABEL, EMERGENCY STOP
6	16	01165	SWITCH, OPERATOR
5	1	12372	LABEL, N/S HOT MELT
4	1	01161	SWITCH, EMERG. STOP
3	6	02669	CONTACT BLOCK, N.C.
2	7	02668	CONTACT BLOCK, N.O.
1	1	6600-04-00-00	CONTROL BOX & PANEL ASSY

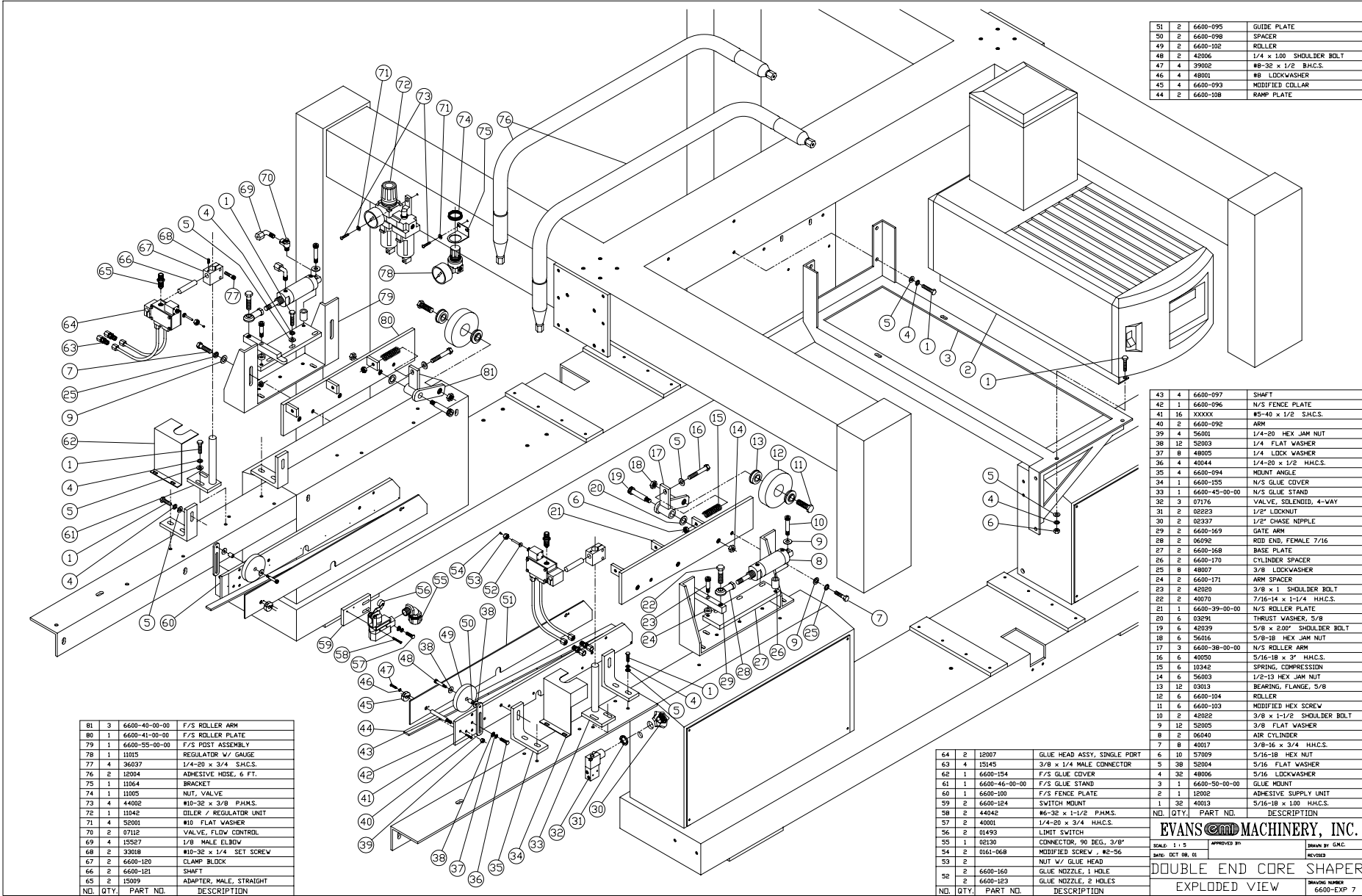
NO.	QTY.	PART NO.	DESCRIPTION
EVANS  MACHINERY, INC.			
SCALE: 1 : 5		APPROVED BY:	DRAWN BY: G.M.C.
DATE: FEB 14, 02			REVISED AUG 09, 02
6600 HEAT TUNNEL			
CONTROL BOX			DRAWING NUMBER 6600-EXP 9



54	1	6600-064	LARGE NUT BLOCK
53	1	6600-062	REAR GUSSET
52	1	10270	ADJUSTMENT HANDLE
51	1	48002	#10 LOCKWASHER
50	1	52001	#10 FLAT WASHER
49	1	6600-080	VERTICAL INDICATOR
48	1	6600-068	CLAMP PAD
47	1	6600-077	FARSIDE BASE PLATE
46	6	36054	5/16-18 x 3/4 S.H.C.S.
45	1	6600-079	MOTOR PLATE
44	1	6600-055	GUARD BRACKET
43	2	35016	#10-32 x 5/8 F.H.C.S.
42	1	6600-34-00-00	FARSIDE DUST COVER
41	4	36027	#10-32 x 3/8 S.H.C.S.
40	1	6600-057	DUST PLATE
39	5	44002	#10-32 x 3/8 P.H.M.S.
38	1		SLITTERER BLADE
37	1	02130	CONNECTOR, 90°, 3/8"
36	1	05177	MOTOR, 1-1/2 HP, 3300 RPM
35	4	36037	1/4-20 x 3/4 S.H.C.S.
34	1	6600-078	OUTER GUIDE BAR
33	2	44001	#6-32 x 3/8 P.H.M.S.
32	2	48003	#6 LOCKWASHER
31	2	52013	#6 FLAT WASHER
30	1	6600-081	SCALE, 6"
29	1	6600-072	HORIZONTAL INDICATOR
28	4	35058	M8 x 20mm F.H.C.S.
27	4	36039	1/4-20 x 1" S.H.C.S.
26	1	6600-075	INNER GUIDE BAR
25	1	6600-126	BUSHING, 1/2" I.D. x 1/2" LG
24	1	6600-074	SCREW BLOCK
23	1	6600-083	HORIZONTAL ADJUST SCREW
22	1	6600-24-00-00	FARSIDE POST ASSEMBLY
21	1	6600-065	SMALL NUT BLOCK
20	1	6600-084	FARSIDE VERTICAL PLATE
19	6	35027	5/16-18 x 3/4 F.H.C.S.
18	2	36031	#10-32 x 1" S.H.C.S.
17	1	6600-070	SCALE, 3"
16	1	6600-071	SCALE CLAMP
15	1	44015	#8-32 x 3/8 P.H.M.S.
14	1	48001	#8 LOCKWASHER
13	1	52002	#8 FLAT WASHER
12	4	48007	3/8 LOCKWASHER
11	4	40018	3/8-16 x 1" H.H.C.S.
10	8	52003	1/4 FLAT WASHER
9	8	48005	1/4 LOCKWASHER
8	8	40002	1/4-20 x 1" H.H.C.S.
7	2	6600-059	INNER GUIDE BAR
6	1	6600-061	FRONT GUSSET
5	1	6600-127	BUSHING, 1/2" I.D. x 3/4" LG
4	8	03033	1/2 THRUST WASHER
3	4	03032	1/2 THRUST BEARING
2	2	03639	SHAFT COLLAR, 1/2"
1	2	10419	WHEEL, HAND

56	1	6600-066	VERTICAL ADJUST SCREW
55	2	36032	#10-32 x 1-1/4 S.H.C.S.
NO.	QTY.	PART NO.	DESCRIPTION

NO.	QTY.	PART NO.	DESCRIPTION
EVANS  MACHINERY, INC.			
SCALE: 1 : 4		APPROVED BY:	DRAWN BY: G.M.C.
DATE: FEB 13, 02			REVISED
DOUBLE END CORE SHAPER			DRAWING NUMBER
EXPLODED VIEW			6600-EXP 8



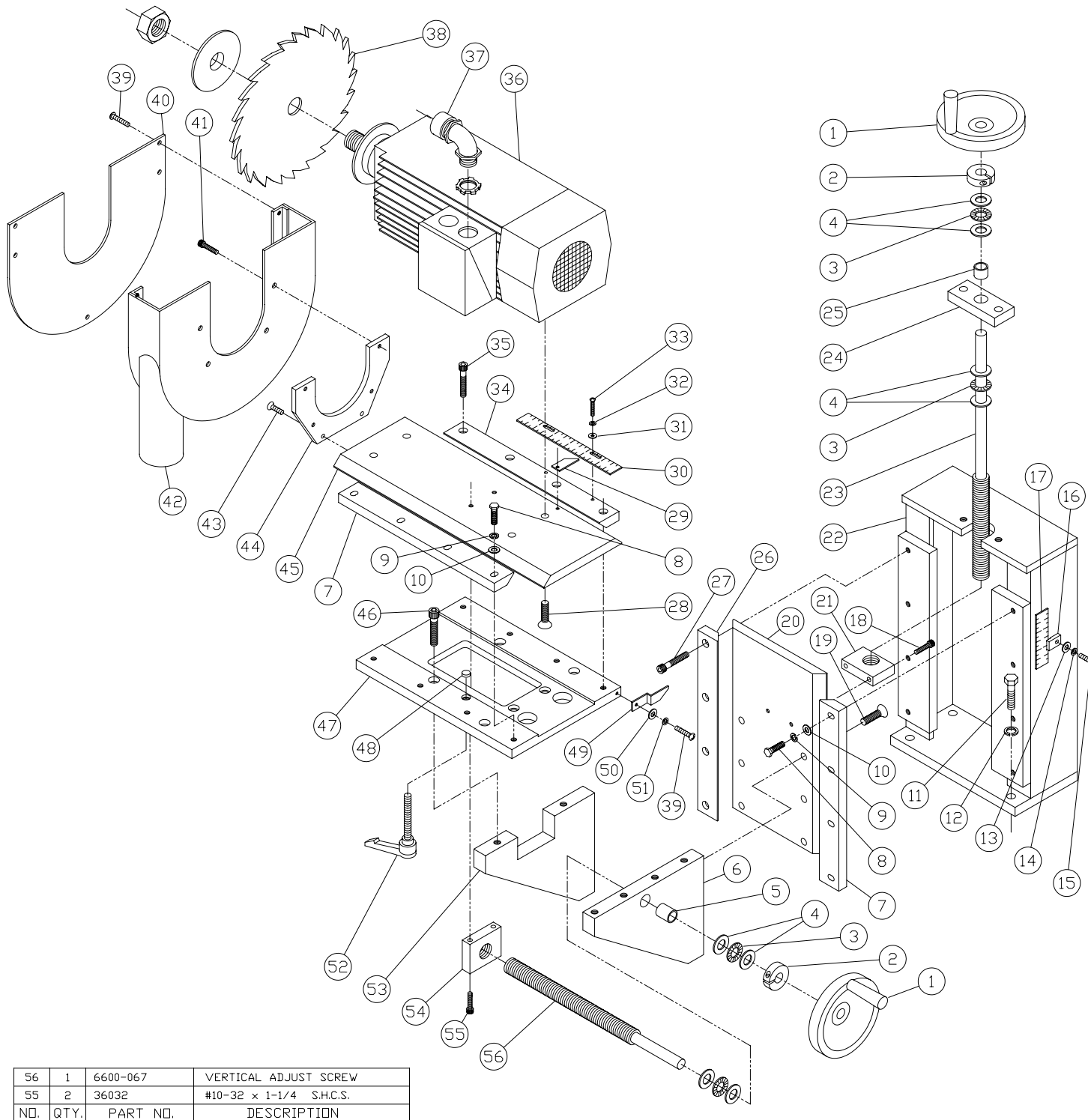
51	2	6600-095	GUIDE PLATE
50	2	6600-098	SPACER
49	2	6600-102	ROLLER
48	2	42006	1/4 x 1.00 SHOULDER BOLT
47	4	39002	#8-32 x 1/2 BH.C.S.
46	4	48001	#8 LOCKWASHER
45	4	6600-093	MODIFIED COLLAR
44	2	6600-108	RAMP PLATE

43	4	6600-097	SHAFT
42	1	6600-096	N/S FENCE PLATE
41	16	3000X	#5-10 x 1/2 SH.C.S.
40	2	6600-092	ARM
39	4	56001	1/4-20 HEX JAM NUT
38	12	52003	1/4 FLAT WASHER
37	8	48005	1/4 LCKWASHER
36	4	40544	1/4-20 x 1/2 HH.C.S.
35	4	6600-094	MOUNT ANGLE
34	1	6600-155	N/S GLUE COVER
33	1	6600-45-00-00	N/S GLUE STAND
32	3	07176	VALVE, SOLENOID, 4-WAY
31	2	02223	1/2" LOCKNUT
30	2	02337	1/2" CHASE NIPPLE
29	2	6600-169	GATE ARM
28	2	06292	R/D END, FEMALE 7/16
27	2	6600-168	BASE PLATE
26	2	6600-170	CYLINDER SPACER
25	8	48007	3/8 LOCKWASHER
24	2	6600-171	ARM SPACER
23	2	42020	3/8 x 1 SHOULDER BOLT
22	2	40070	7/16-14 x 1-1/4 HH.C.S.
21	1	6600-39-00-00	N/S ROLLER PLATE
20	6	03291	THRUST WASHER, 5/8
19	6	42039	5/8 x 2.00" SHOULDER BOLT
18	6	56016	5/8-18 HEX JAM NUT
17	3	6600-38-00-00	N/S ROLLER ARM
16	6	40050	5/16-18 x 3" HH.C.S.
15	6	10342	SPRING, COMPRESSION
14	6	56003	1/2-13 HEX JAM NUT
13	12	03013	BEARING, FLANGE, 5/8
12	6	6600-104	ROLLER
11	6	6600-103	MODIFIED HEX SCREW
10	2	42022	3/8 x 1-1/2 SHOULDER BOLT
9	12	52005	3/8 FLAT WASHER
8	2	06240	AIR CYLINDER
7	8	40017	3/8-16 x 3/4 HH.C.S.
6	10	57009	5/16-18 HEX NUT
5	38	52004	5/16 FLAT WASHER
4	32	48006	5/16 LOCKWASHER
3	1	6600-50-00-00	GLUE MOUNT
2	1	12002	ADHESIVE SUPPLY UNIT
1	32	40013	5/16-18 x 1.00 HH.C.S.


64	2	12007	GLUE HEAD ASSY, SINGLE PORT
63	4	15145	3/8 x 1/4 MALE CONNECTOR
62	1	6600-154	F/S GLUE COVER
61	1	6600-46-00-00	F/S GLUE STAND
60	1	6600-100	F/S FENCE PLATE
59	2	6600-124	SWITCH MOUNT
58	2	44042	#6-32 x 1-1/2 PHMS.
57	2	40001	1/4-20 x 3/4 HH.C.S.
56	2	01493	LIMIT SWITCH
55	1	02130	CONNECTOR, 90 DEG, 3/8"
54	2	0161-068	MODIFIED SCREW, #2-56
53	2	6600-124	NUT W/ GLUE HEAD
52	2	6600-160	GLUE NOZZLE, 1 HOLE
51	2	6600-123	GLUE NOZZLE, 2 HOLES
ND.	QTY.	PART NO.	DESCRIPTION

EVANS MACHINERY, INC.
 SCALE: 1 : 5
 DATE: OCT 08, 01
 APPROVED BY: [Signature]
 DRAWN BY: GNC.
DOUBLE END CORE SHAPER
 EXPLODED VIEW
 DRAWING NUMBER: 6600-EXP 7

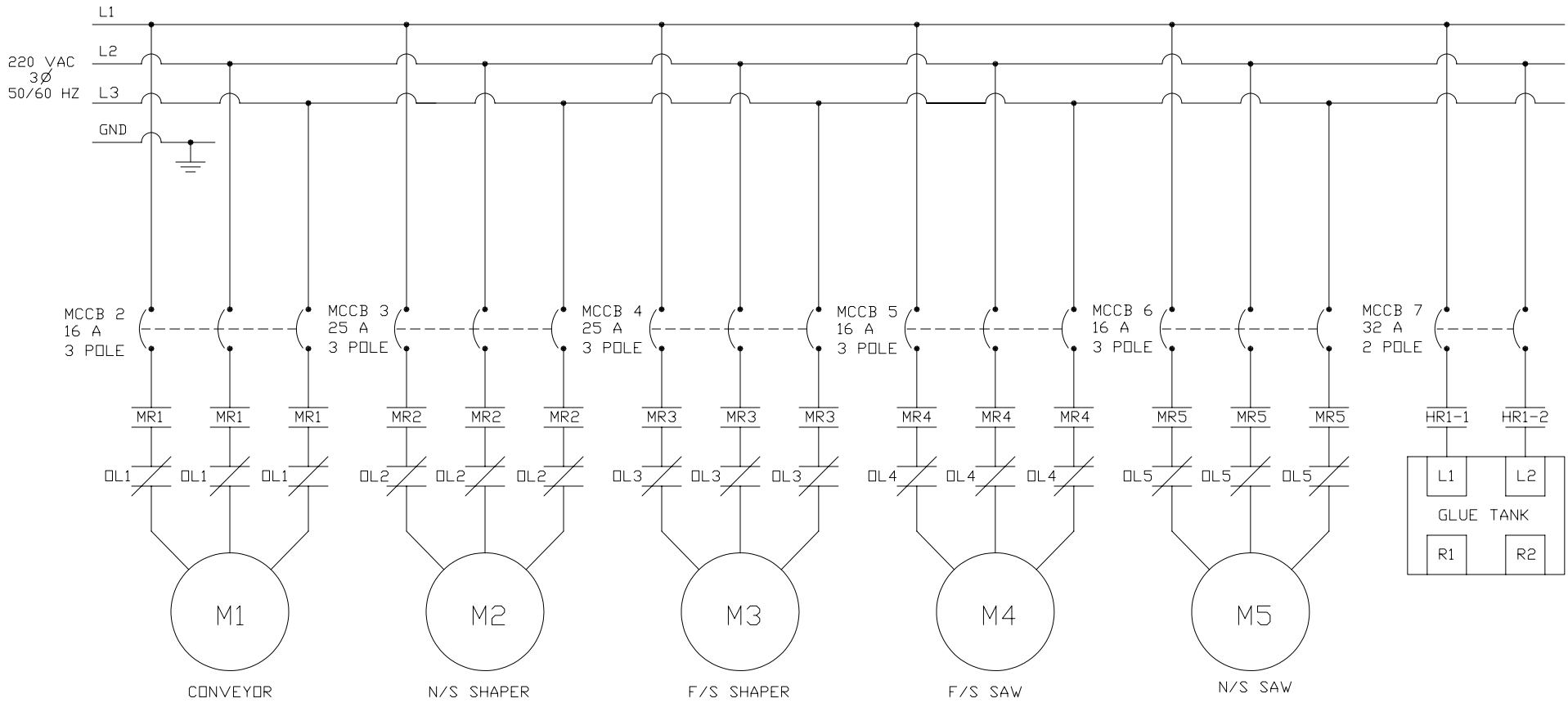
81	3	6600-40-00-00	F/S ROLLER ARM
80	1	6600-41-00-00	F/S ROLLER PLATE
79	1	6600-55-00-00	F/S POST ASSEMBLY
78	1	11015	REGULATOR W/ GAUGE
77	4	36037	1/4-20 x 3/4 SH.C.S.
76	2	12004	ADHESIVE HDSE, 6 FT.
75	1	11064	BRACKET
74	1	11005	NUT, VALVE
73	4	44002	#10-32 x 3/8 PHMS.
72	1	11042	OILER / REGULATOR UNIT
71	4	52001	#10 FLAT WASHER
70	2	07112	VALVE, FLOW CONTROL
69	4	15527	1/8 MALE ELBOW
68	2	33018	#10-32 x 1/4 SET SCREW
67	2	6600-120	CLAMP BLOCK
66	2	6600-121	SHAFT
65	2	15009	ADAPTER, MALE, STRAIGHT
ND.	QTY.	PART NO.	DESCRIPTION



54	1	6600-064	LARGE NUT BLOCK
53	1	6600-062	REAR GUSSET
52	1	10270	ADJUSTMENT HANDLE
51	1	48002	#10 LOCKWASHER
50	1	52001	#10 FLAT WASHER
49	1	6600-073	VERTICAL INDICATOR
48	1	6600-068	CLAMP PAD
47	1	6600-056	NEARSIDE BASE PLATE
46	6	36054	5/16-18 x 3/4 S.H.C.S.
45	1	6600-063	MOTOR PLATE
44	1	6600-055	GUARD BRACKET
43	2	35016	#10-32 x 5/8 F.H.C.S.
42	1	6600-33-00-00	NEARSIDE DUST COVER
41	4	36027	#10-32 x 3/8 S.H.C.S.
40	1	6600-057	DUST PLATE
39	5	44002	#10-32 x 3/8 P.H.M.S.
38	1	6600-131	GROOVER BLADE
37	1	02130	CONNECTOR, 90°, 3/8"
36	1	05176	MOTOR, 1-1/2 HP, 3300 RPM
35	4	36037	1/4-20 x 3/4 S.H.C.S.
34	1	6600-060	OUTER GUIDE BAR
33	2	44001	#6-32 x 3/8 P.H.M.S.
32	2	48003	#6 LOCKWASHER
31	2	52013	#6 FLAT WASHER
30	1	6600-069	SCALE, 6"
29	1	6600-072	HORIZONTAL INDICATOR
28	4	PART NO.	M8 x X F.H.C.S.
27	4	36039	1/4-20 x 1" S.H.C.S.
26	1	6600-075	INNER GUIDE BAR
25	1	6600-126	BUSHING, 1/2" I.D. x 1/2" LG
24	1	6600-074	SCREW BLOCK
23	1	6600-066	HORIZONTAL ADJUST SCREW
22	1	6600-15-00-00	NEARSIDE POST ASSEMBLY
21	1	6600-065	SMALL NUT BLOCK
20	1	6600-076	NEARSIDE VERTICAL PLATE
19	6	35027	5/16-18 x 3/4 F.H.C.S.
18	2	36031	#10-32 x 1" S.H.C.S.
17	1	6600-070	SCALE, 3"
16	1	6600-071	SCALE CLAMP
15	1	44015	#8-32 x 3/8 P.H.M.S.
14	1	48001	#8 LOCKWASHER
13	1	52002	#8 FLAT WASHER
12	4	48007	3/8 LOCKWASHER
11	4	40018	3/8-16 x 1" H.H.C.S.
10	8	52003	1/4 FLAT WASHER
9	8	48005	1/4 LOCKWASHER
8	8	40002	1/4-20 x 1" H.H.C.S.
7	2	6600-059	INNER GUIDE BAR
6	1	6600-061	FRONT GUSSET
5	1	6600-127	BUSHING, 1/2" I.D. x 3/4" LG
4	8	03033	1/2 THRUST WASHER
3	4	03032	1/2 THRUST BEARING
2	2	03639	SHAFT COLLAR, 1/2"
1	2	10419	WHEEL, HAND

NO.	QTY.	PART NO.	DESCRIPTION
EVANS  MACHINERY, INC.			
SCALE: 1 : 4		APPROVED BY:	DRAWN BY: G.M.C.
DATE: JULY 16, 01			REVISED
DOUBLE END CORE SHAPER			DRAWING NUMBER
EXPLODED VIEW			6600-EXP 6

56	1	6600-067	VERTICAL ADJUST SCREW
55	2	36032	#10-32 x 1-1/4 S.H.C.S.
NO.	QTY.	PART NO.	DESCRIPTION



MCCB7	01047	CIRCUIT BREAKER, 2 POLE, 32 AMP
MCCB6	01037	CIRCUIT BREAKER, 3 POLE, 16 AMP
MCCB5	01037	CIRCUIT BREAKER, 3 POLE, 16 AMP
MCCB4	01032	CIRCUIT BREAKER, 3 POLE, 25 AMP
MCCB3	01032	CIRCUIT BREAKER, 3 POLE, 25 AMP
MCCB2	01037	CIRCUIT BREAKER, 3 POLE, 16 AMP
M5	05177	MOTOR, 1-1/2 HP, 3300 RPM
M4	05176	MOTOR, 1-1/2 HP, 3300 RPM
M3	05139	MOTOR, 5 HP, 3450 RPM
M2	05139	MOTOR, 5 HP, 3450 RPM
M1	05138	MOTOR, 1 HP, 1725 RPM
SYM	PART NO.	DESCRIPTION

220 VAC / 3 ϕ / 50/60 Hz

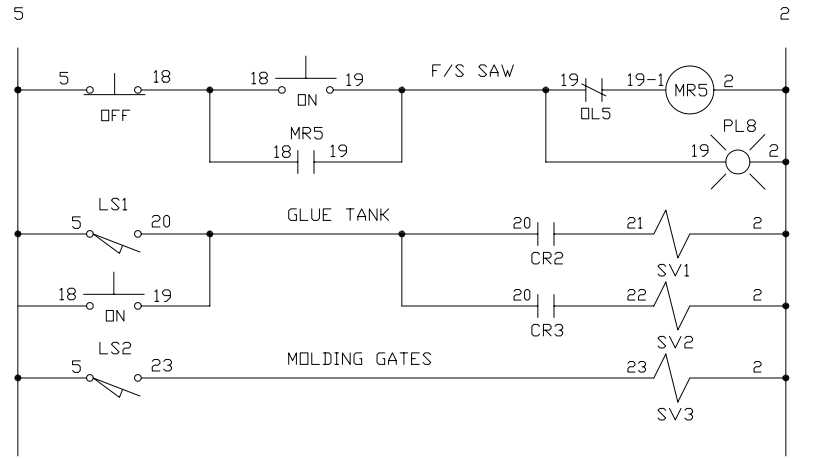
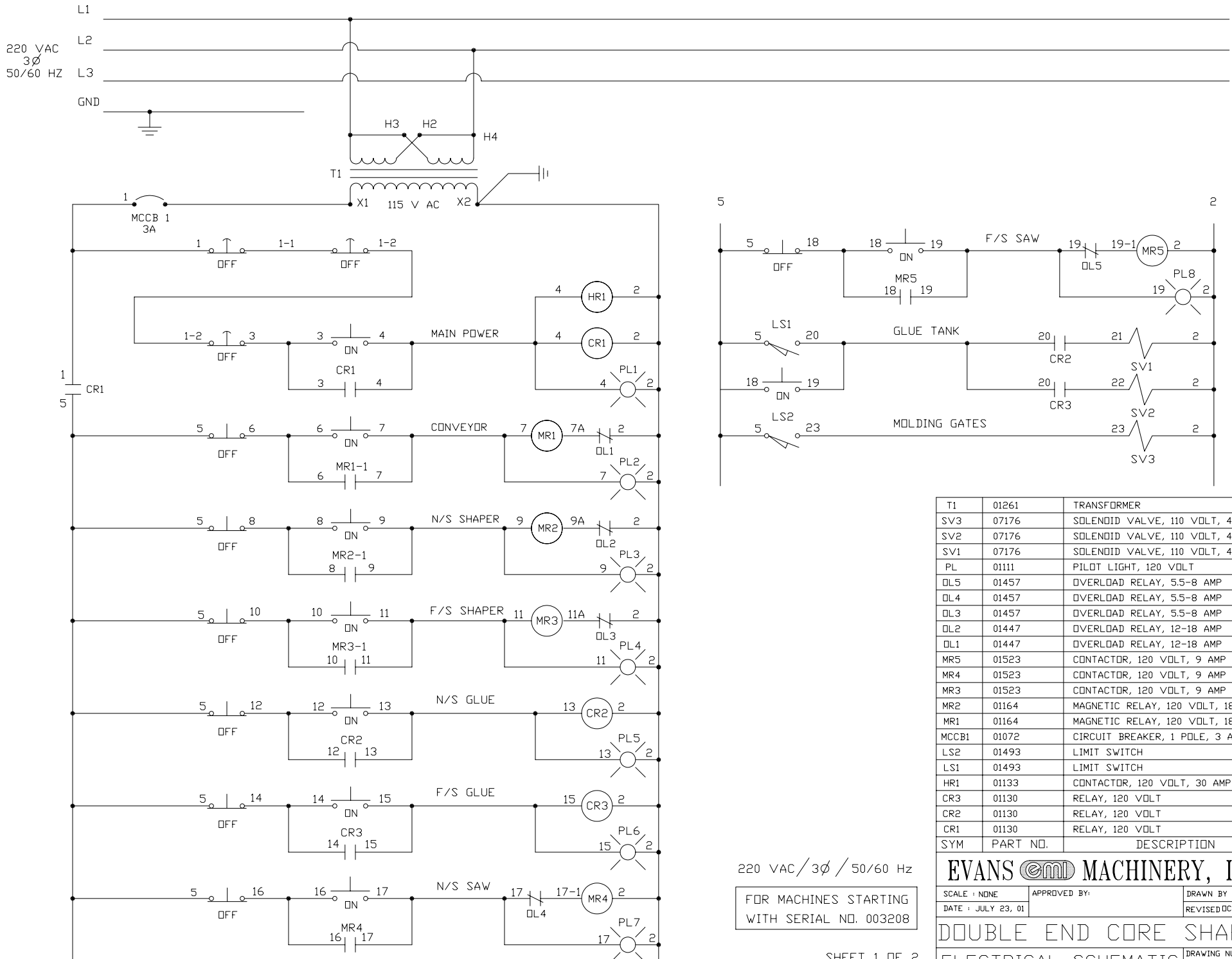
FOR MACHINES STARTING
WITH SERIAL NO. 003208

EVANS  MACHINERY, INC.

SCALE : NONE APPROVED BY: DRAWN BY G.M.C.
DATE : JULY 23, 01 REVISED OCT 03, 02


DOUBLE END CORE SHAPER

ELECTRICAL SCHEMATIC DRAWING NUMBER
6600-ELEC-1



SYM	PART NO.	DESCRIPTION
T1	01261	TRANSFORMER
SV3	07176	SOLENOID VALVE, 110 VOLT, 4 WAY
SV2	07176	SOLENOID VALVE, 110 VOLT, 4 WAY
SV1	07176	SOLENOID VALVE, 110 VOLT, 4 WAY
PL	01111	PILOT LIGHT, 120 VOLT
OL5	01457	OVERLOAD RELAY, 5.5-8 AMP
OL4	01457	OVERLOAD RELAY, 5.5-8 AMP
OL3	01457	OVERLOAD RELAY, 5.5-8 AMP
OL2	01447	OVERLOAD RELAY, 12-18 AMP
OL1	01447	OVERLOAD RELAY, 12-18 AMP
MR5	01523	CONTACTOR, 120 VOLT, 9 AMP
MR4	01523	CONTACTOR, 120 VOLT, 9 AMP
MR3	01523	CONTACTOR, 120 VOLT, 9 AMP
MR2	01164	MAGNETIC RELAY, 120 VOLT, 18 AMP
MR1	01164	MAGNETIC RELAY, 120 VOLT, 18 AMP
MCCB1	01072	CIRCUIT BREAKER, 1 POLE, 3 AMP
LS2	01493	LIMIT SWITCH
LS1	01493	LIMIT SWITCH
HR1	01133	CONTACTOR, 120 VOLT, 30 AMP
CR3	01130	RELAY, 120 VOLT
CR2	01130	RELAY, 120 VOLT
CR1	01130	RELAY, 120 VOLT
SYM	PART NO.	DESCRIPTION

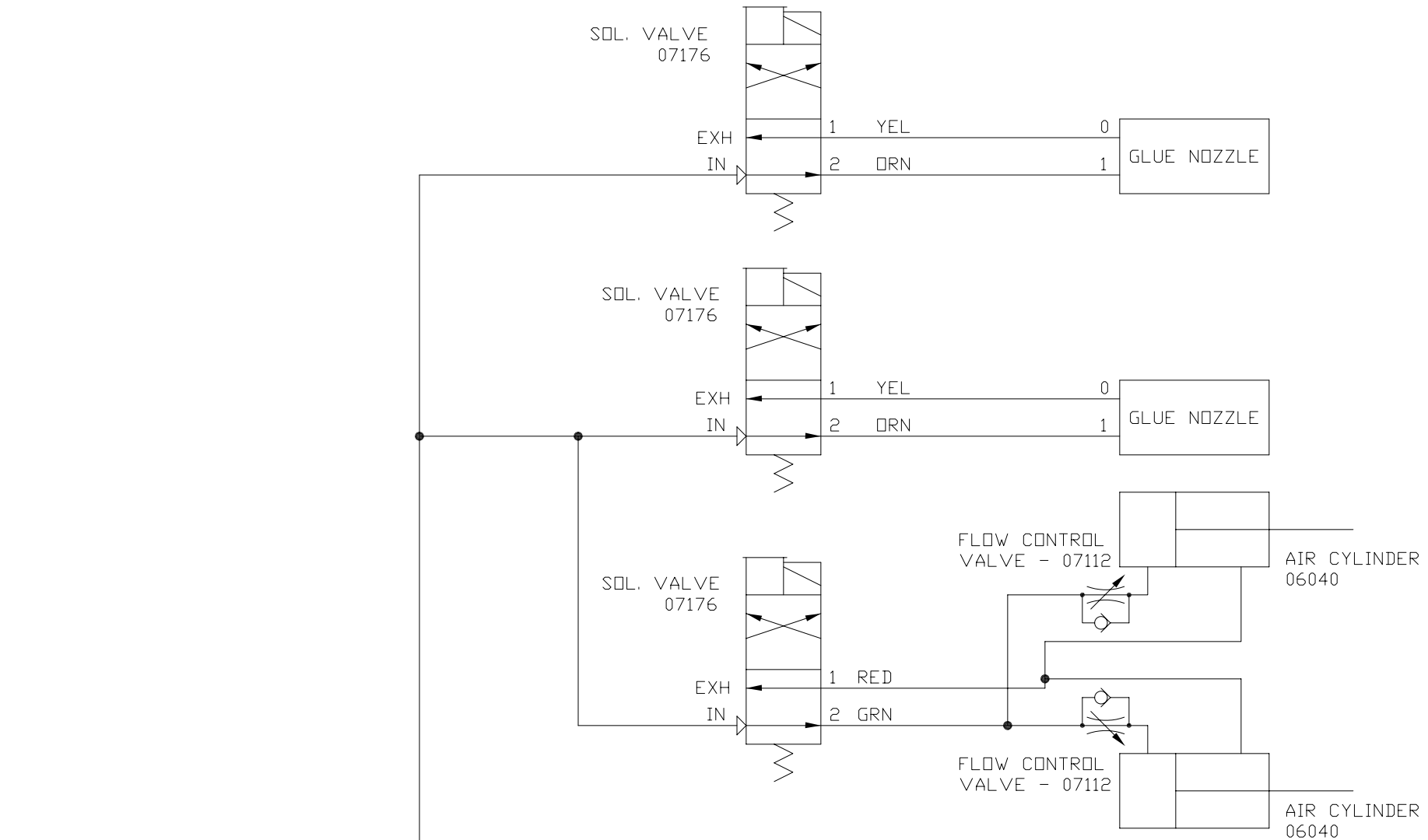
220 VAC / 3 ϕ / 50/60 HZ
FOR MACHINES STARTING
WITH SERIAL NO. 003208

EVANS  MACHINERY, INC.


SCALE : NONE	APPROVED BY:	DRAWN BY G.M.C.
DATE : JULY 23, 01		REVISED OCT 03, 02

DOUBLE END CORE SHAPER
ELECTRICAL SCHEMATIC

DRAWING NUMBER 6600-ELRC-1



PNEUMATIC DIAGRAM

EVANS  MACHINERY, INC.
 5530N. 51ST AVE. - GLENDALE - AZ. 85301

DOUBLE END CORE SHAPER

DRN. G.M.C.		CHECKED
TOLERANCES UNLESS NOTED		DATE OCT 04, 02
SCALE NONE		
.XXX	+ 0.010	6600-P
.XX/FRACTION	± 0.030	

FILTER-REGULATOR
11042

REGULATOR
11015

GUAGE, 0-60
11027

BLK

HOT MELT
GLUE TUB

SDL. VALVE
07176

EXH
IN

1 YEL
2 ORN

GLUE NOZZLE

SDL. VALVE
07176

EXH
IN

1 YEL
2 ORN

GLUE NOZZLE

SDL. VALVE
07176

EXH
IN

1 RED
2 GRN

FLOW CONTROL
VALVE - 07112

AIR CYLINDER
06040

FLOW CONTROL
VALVE - 07112

AIR CYLINDER
06040